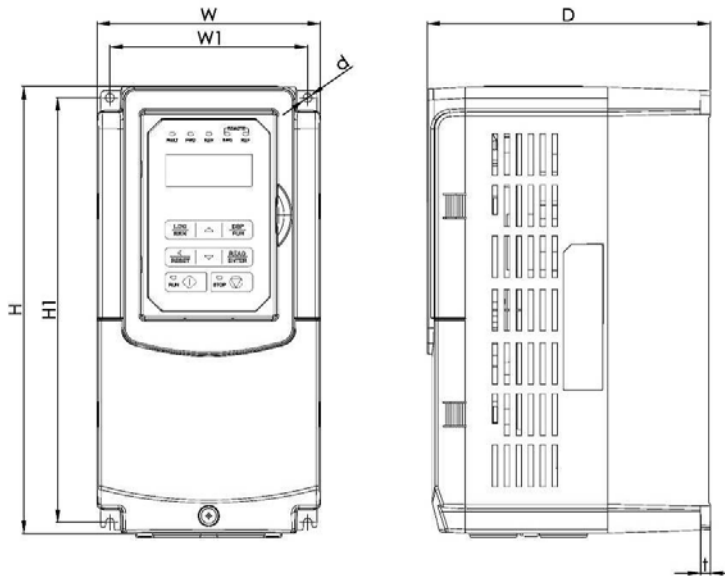


3.7 Inverter Dimensions

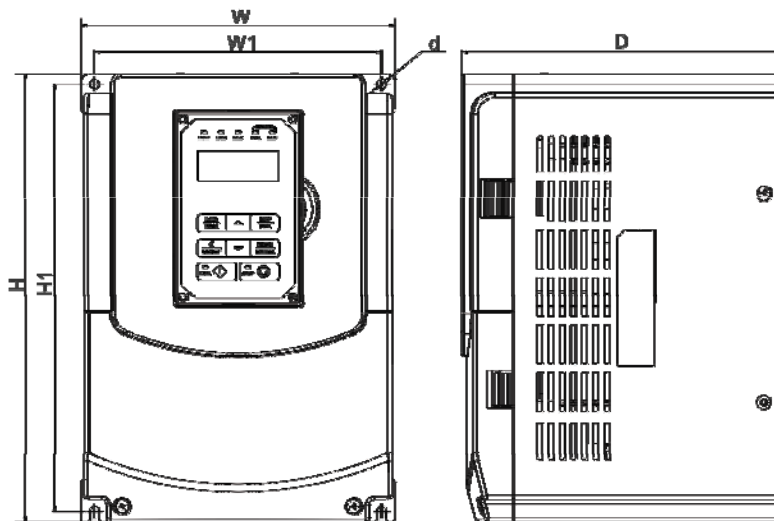
3.7.1 Standard Type (IP00/IP20)

(a) 200V: 5-7.5HP/ 400V: 5-10HP



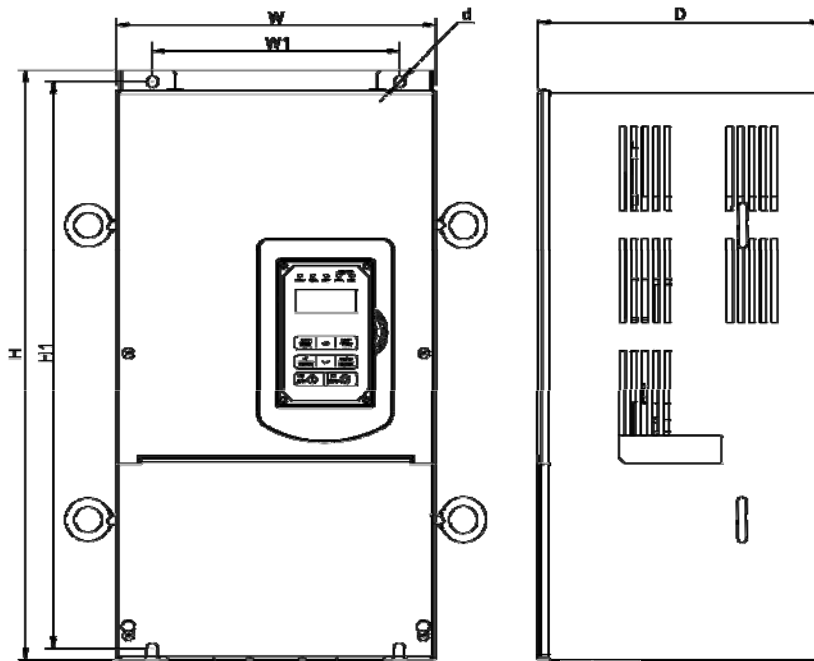
Inverter Model	Dimensions in mm (inch)							NW in kg(lbs)
	W	H	D	W1	H1	t	d	
F510-2005-H3	140 (5.51)	279 (10.98)	177 (6.97)	122 (4.80)	267 (10.51)	7 (0.28)	M6	3.8 (8.38)
F510-2008-H3	140 (5.51)	279 (10.98)	177 (6.97)	122 (4.80)	267 (10.51)	7 (0.28)	M6	3.8 (8.38)
F510-4005-H3	140 (5.51)	279 (10.98)	177 (6.97)	122 (4.80)	267 (10.51)	7 (0.28)	M6	3.8 (8.38)
F510-4008-H3	140 (5.51)	279 (10.98)	177 (6.97)	122 (4.80)	267 (10.51)	7 (0.28)	M6	3.8 (8.38)
F510-4010-H3	140 (5.51)	279 (10.98)	177 (6.97)	122 (4.80)	267 (10.51)	7 (0.28)	M6	3.8 (8.38)

(b) 200V: 10-30HP/ 400V: 15-40HP



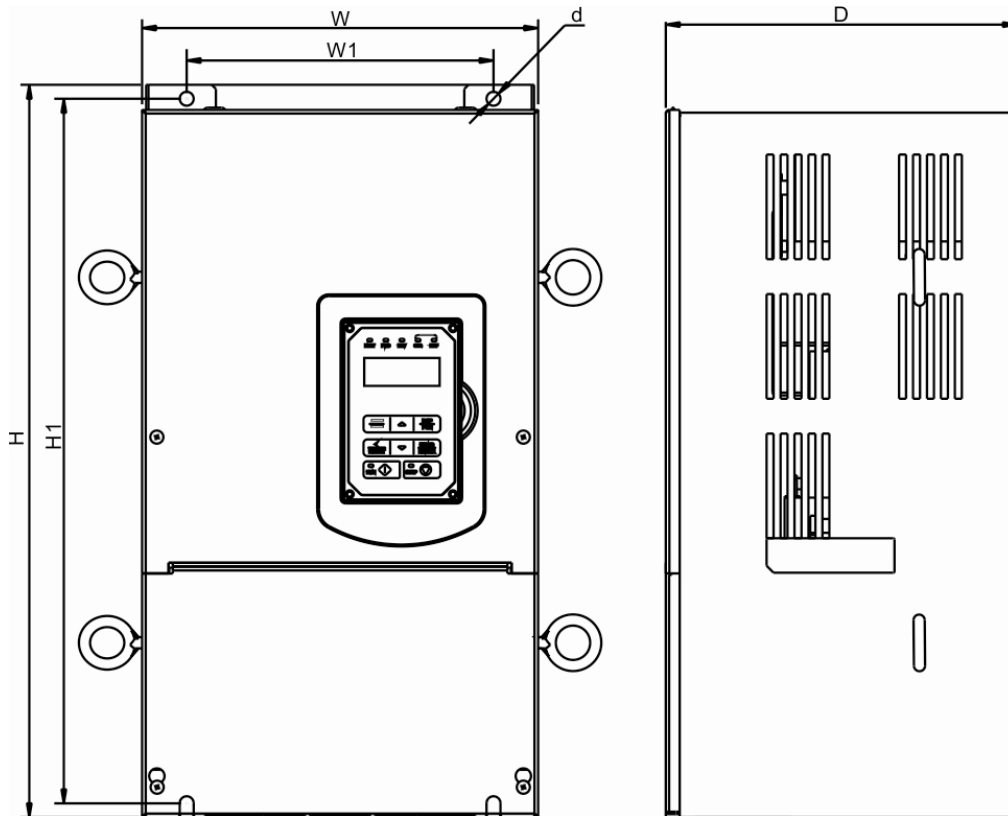
Inverter Model	Dimensions in mm (inch)						d	NW in kg(lbs)
	W	H	D	W1	H1	t		
F510-2010-H3	210 (8.27)	300 (11.81)	215 (8.46)	192 (7.56)	286 (11.26)	1.6 (0.06)	M6	6.2 (13.67)
F510-2015-H3	210 (8.27)	300 (11.81)	215 (8.46)	192 (7.56)	286 (11.26)	1.6 (0.06)	M6	6.2 (13.67)
F510-2020-H3	265 (10.43)	360 (14.17)	225 (8.86)	245 (9.65)	340 (13.39)	1.6 (0.06)	M8	10 (22.05)
F510-2025-H3	265 (10.43)	360 (14.17)	225 (8.86)	245 (9.65)	340 (13.39)	1.6 (0.06)	M8	10 (22.05)
F510-2030-H3	265 (10.43)	360 (14.17)	225 (8.86)	245 (9.65)	340 (13.39)	1.6 (0.06)	M8	10 (22.05)
F510-4015-H3	210 (8.27)	300 (11.81)	215 (8.46)	192 (7.56)	286 (11.26)	1.6 (0.06)	M6	6.2 (13.67)
F510-4020-H3	210 (8.27)	300 (11.81)	215 (8.46)	192 (7.56)	286 (11.26)	1.6 (0.06)	M6	6.2 (13.67)
F510-4025-H3	265 (10.43)	360 (14.17)	225 (8.86)	245 (9.65)	340 (13.39)	1.6 (0.06)	M8	10 (22.05)
F510-4030-H3	265 (10.43)	360 (14.17)	225 (8.86)	245 (9.65)	340 (13.39)	1.6 (0.06)	M8	10 (22.05)
F510-4040-H3	265 (10.43)	360 (14.17)	225 (8.86)	245 (9.65)	340 (13.39)	1.6 (0.06)	M8	10 (22.05)

(c) 200V: 40-50HP/ 400V: 50-75HP



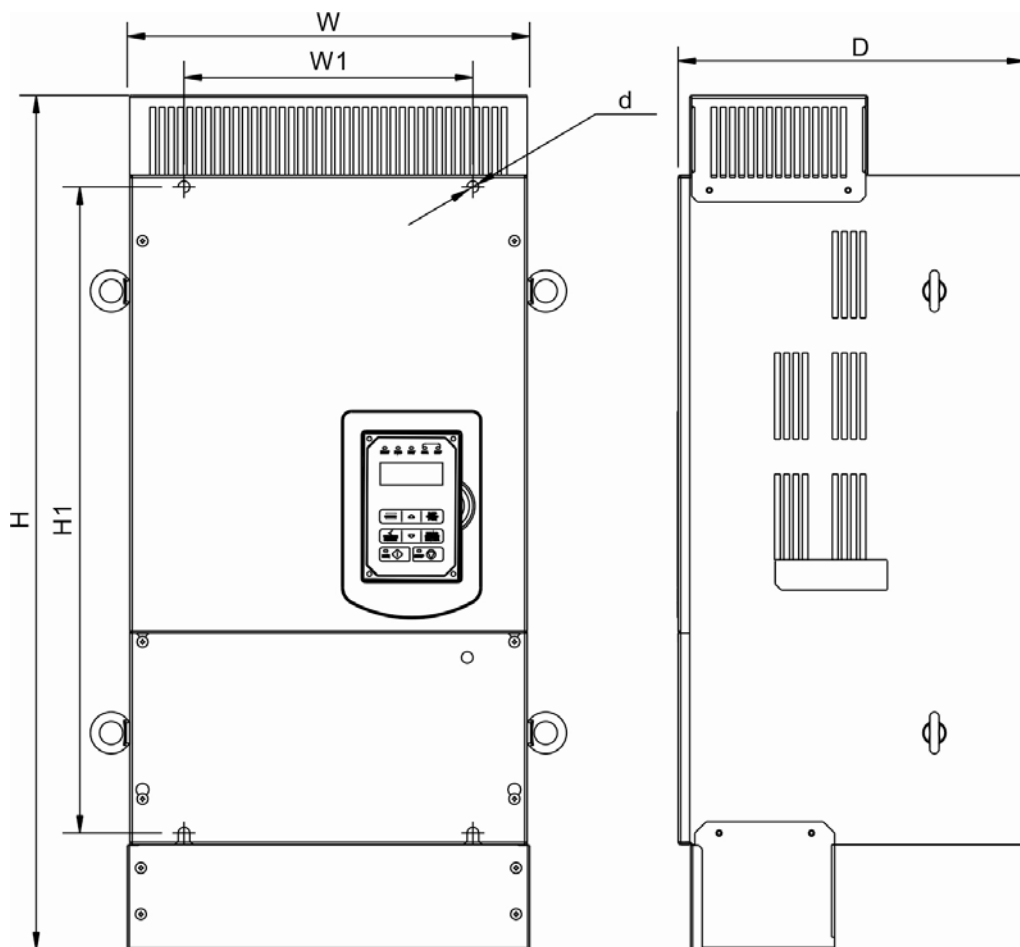
Inverter Model	Dimensions in mm (inch)						d	NW in kg(lbs)
	W	H	D	W1	H1	t		
F510-2040-H3	284 (11.18)	525 (20.67)	252 (9.92)	220 (8.66)	505 (19.88)	1.6 (0.06)	M8	30 (66.14)
F510-2050-H3	284 (11.18)	525 (20.67)	252 (9.92)	220 (8.66)	505 (19.88)	1.6 (0.06)	M8	30 (66.14)
F510-4050-H3	284 (11.18)	525 (20.67)	252 (9.92)	220 (8.66)	505 (19.88)	1.6 (0.06)	M8	30 (66.14)
F510-4060-H3	284 (11.18)	525 (20.67)	252 (9.92)	220 (8.66)	505 (19.88)	1.6 (0.06)	M8	30 (66.14)
F510-4075-H3	284 (11.18)	525 (20.67)	252 (9.92)	220 (8.66)	505 (19.88)	1.6 (0.06)	M8	30 (66.14)

(d) 200V: 60-125HP/ 400V: 100-250HP (IP00)



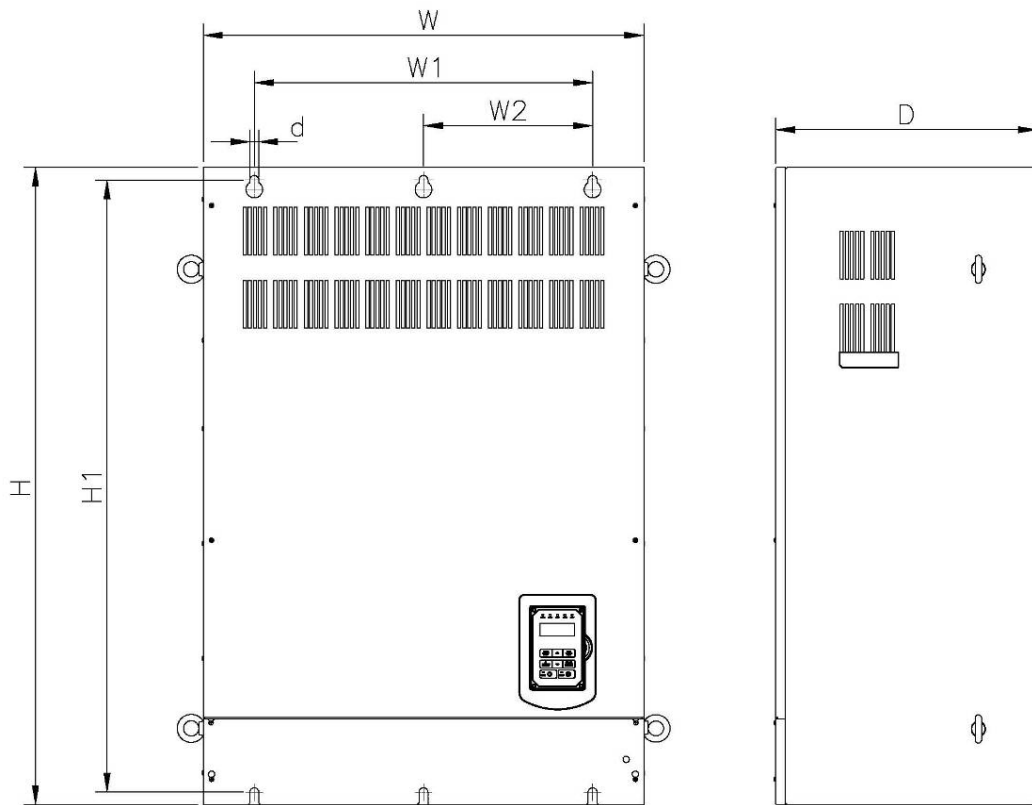
Inverter Model	Dimensions in mm (inch)						d	NW in kg(lbs)
	W	H	D	W1	H1	t		
F510-2060-H3	344 (13.54)	580 (22.83)	300 (11.81)	250 (9.84)	560 (22.05)	1.6 (0.06)	M10	40.5 (89.29)
F510-2075-H3	344 (13.54)	580 (22.83)	300 (11.81)	250 (9.84)	560 (22.05)	1.6 (0.06)	M10	40.5 (89.29)
F510-2100-H3	459 (18.07)	790 (31.10)	324.5 (12.78)	320 (12.60)	760 (29.92)	1.6 (0.06)	M10	74 (163.14)
F510-2125-H3	459 (18.07)	790 (31.10)	324.5 (12.78)	320 (12.60)	760 (29.92)	1.6 (0.06)	M10	74 (163.14)
F510-4100-H3	344 (13.54)	580 (22.83)	300 (11.81)	250 (9.84)	560 (22.05)	1.6 (0.06)	M10	40.5 (89.29)
F510-4125-H3	344 (13.54)	580 (22.83)	300 (11.81)	250 (9.84)	560 (22.05)	1.6 (0.06)	M10	40.5 (89.29)
F510-4150-H3	459 (18.07)	790 (31.10)	324.5 (12.78)	320 (12.60)	760 (29.92)	1.6 (0.06)	M10	74 (163.14)
F510-4175-H3	459 (18.07)	790 (31.10)	324.5 (12.78)	320 (12.60)	760 (29.92)	1.6 (0.06)	M10	74 (163.14)
F510-4215-H3	459 (18.07)	790 (31.10)	324.5 (12.78)	320 (12.60)	760 (29.92)	1.6 (0.06)	M10	74 (163.14)
F510-4250-H3	459 (18.07)	790 (31.10)	324.5 (12.78)	320 (12.60)	760 (29.92)	1.6 (0.06)	M10	74 (163.14)

(e) 200V: 60-125HP/ 400V: 100-250HP (IP20)



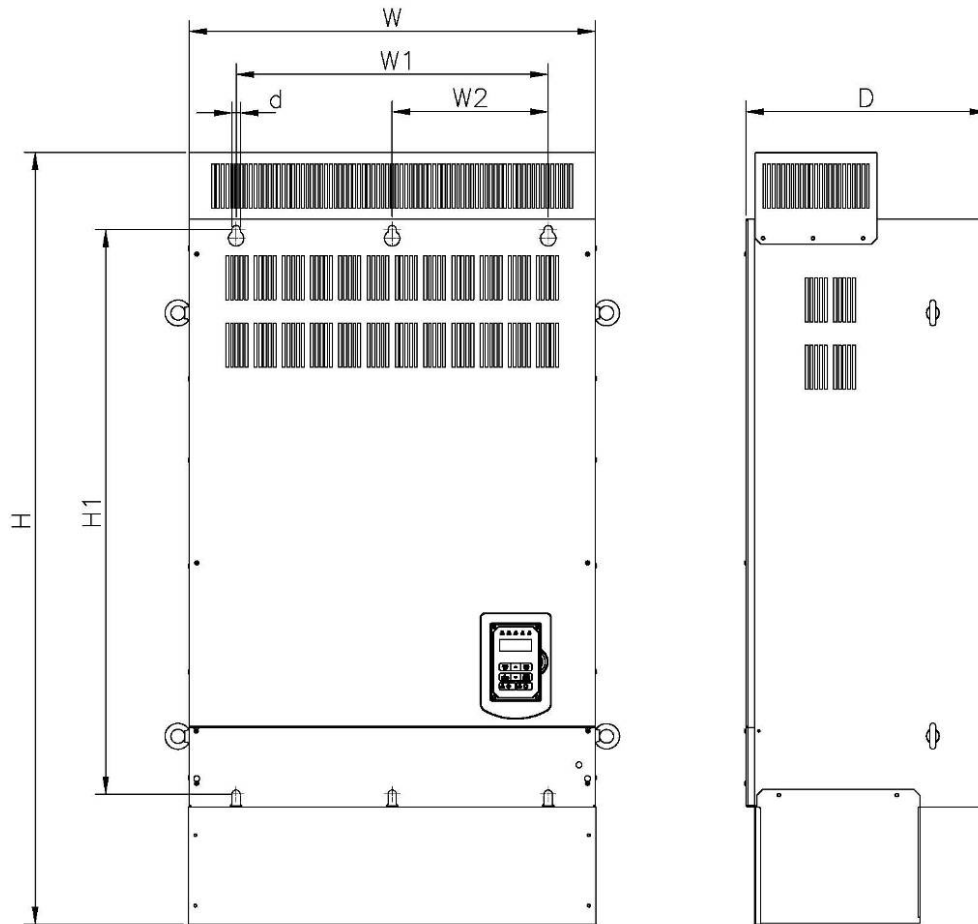
Inverter Model	Dimensions in mm (inch)						d	NW in kg(lbs)
	W	H	D	W1	H1	t		
F510-2060-H3	348.5 (13.72)	740 (29.13)	300 (11.81)	250 (9.84)	560 (22.05)	1.6 (0.06)	M10	44 (97.00)
F510-2075-H3	348.5 (13.72)	740 (29.13)	300 (11.81)	250 (9.84)	560 (22.05)	1.6 (0.06)	M10	44 (97.00)
F510-2100-H3	463.5 (18.25)	1105 (43.50)	324.5 (12.78)	320 (12.60)	760 (29.92)	1.6 (0.06)	M10	81 (178.57)
F510-2125-H3	463.5 (18.25)	1105 (43.50)	324.5 (12.78)	320 (12.60)	760 (29.92)	1.6 (0.06)	M10	81 (178.57)
F510-4100-H3	348.5 (13.72)	740 (29.13)	300 (11.81)	250 (9.84)	560 (22.05)	1.6 (0.06)	M10	44 (97.00)
F510-4125-H3	348.5 (13.72)	740 (29.13)	300 (11.81)	250 (9.84)	560 (22.05)	1.6 (0.06)	M10	44 (97.00)
F510-4150-H3	463.5 (18.25)	1105 (43.50)	324.5 (12.78)	320 (12.60)	760 (29.92)	1.6 (0.06)	M10	81 (178.57)
F510-4175-H3	463.5 (18.25)	1105 (43.50)	324.5 (12.78)	320 (12.60)	760 (29.92)	1.6 (0.06)	M10	81 (178.57)
F510-4215-H3	463.5 (18.25)	1105 (43.50)	324.5 (12.78)	320 (12.60)	760 (29.92)	1.6 (0.06)	M10	81 (178.57)
F510-4250-H3	463.5 (18.25)	1105 (43.50)	324.5 (12.78)	320 (12.60)	760 (29.92)	1.6 (0.06)	M10	81 (178.57)

(f) 200V: 150-175HP/ 400V: 300-425HP (IP00)



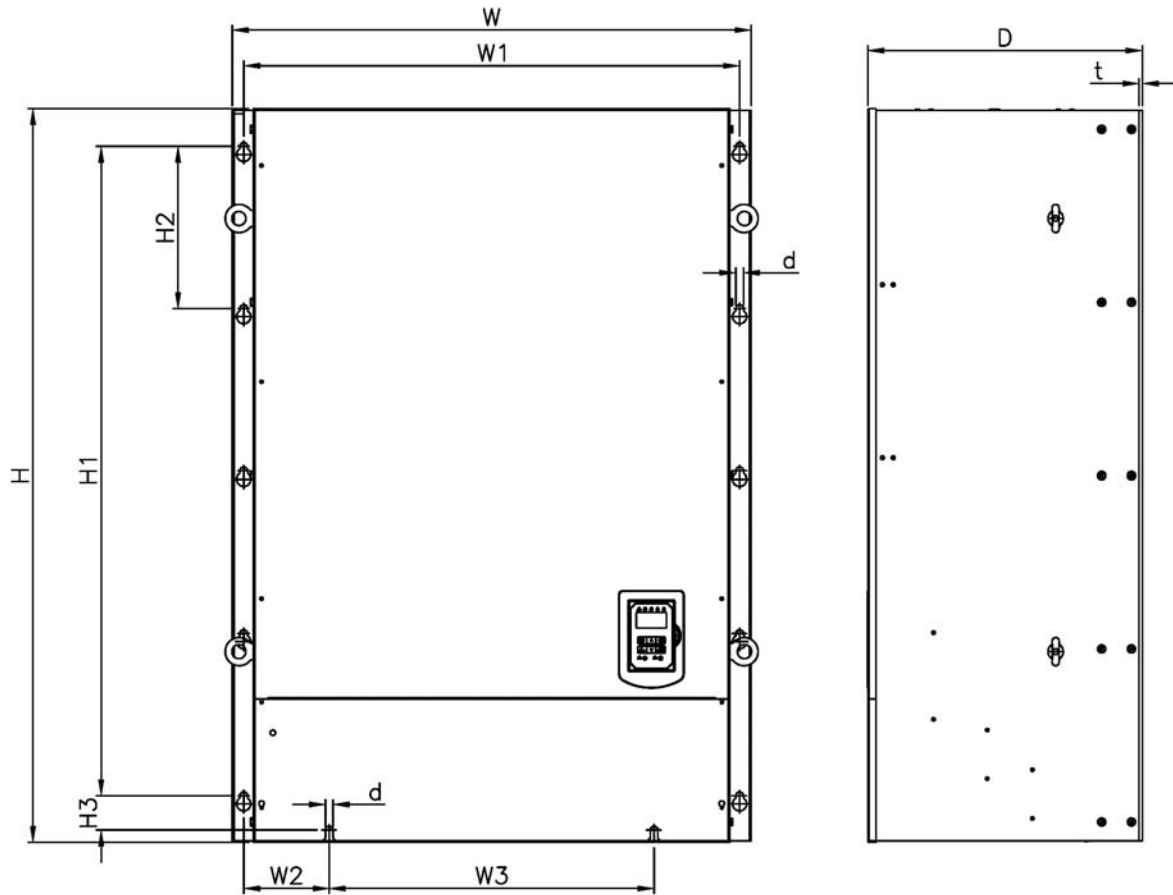
Inverter Model	Dimensions in mm (inch)							d	NW in kg(lbs)
	W	H	D	W1	W2	H1	t		
F510-2150-H3	690 (27.17)	1000 (39.37)	410 (16.14)	530 (20.87)	265 (10.43)	960 (37.80)	1.6 (0.06)	M12	184 (405.65)
F510-2175-H3	690 (27.17)	1000 (39.37)	410 (16.14)	530 (20.87)	265 (10.43)	960 (37.80)	1.6 (0.06)	M12	184 (405.65)
F510-4300-H3	690 (27.17)	1000 (39.37)	410 (16.14)	530 (20.87)	265 (10.43)	960 (37.80)	1.6 (0.06)	M12	184 (405.65)
F510-4375-H3	690 (27.17)	1000 (39.37)	410 (16.14)	530 (20.87)	265 (10.43)	960 (37.80)	1.6 (0.06)	M12	184 (405.65)
F510-4425-H3	690 (27.17)	1000 (39.37)	410 (16.14)	530 (20.87)	265 (10.43)	960 (37.80)	1.6 (0.06)	M12	184 (405.65)

(g) 200V: 150-175HP/ 400V: 300-425HP (IP20)



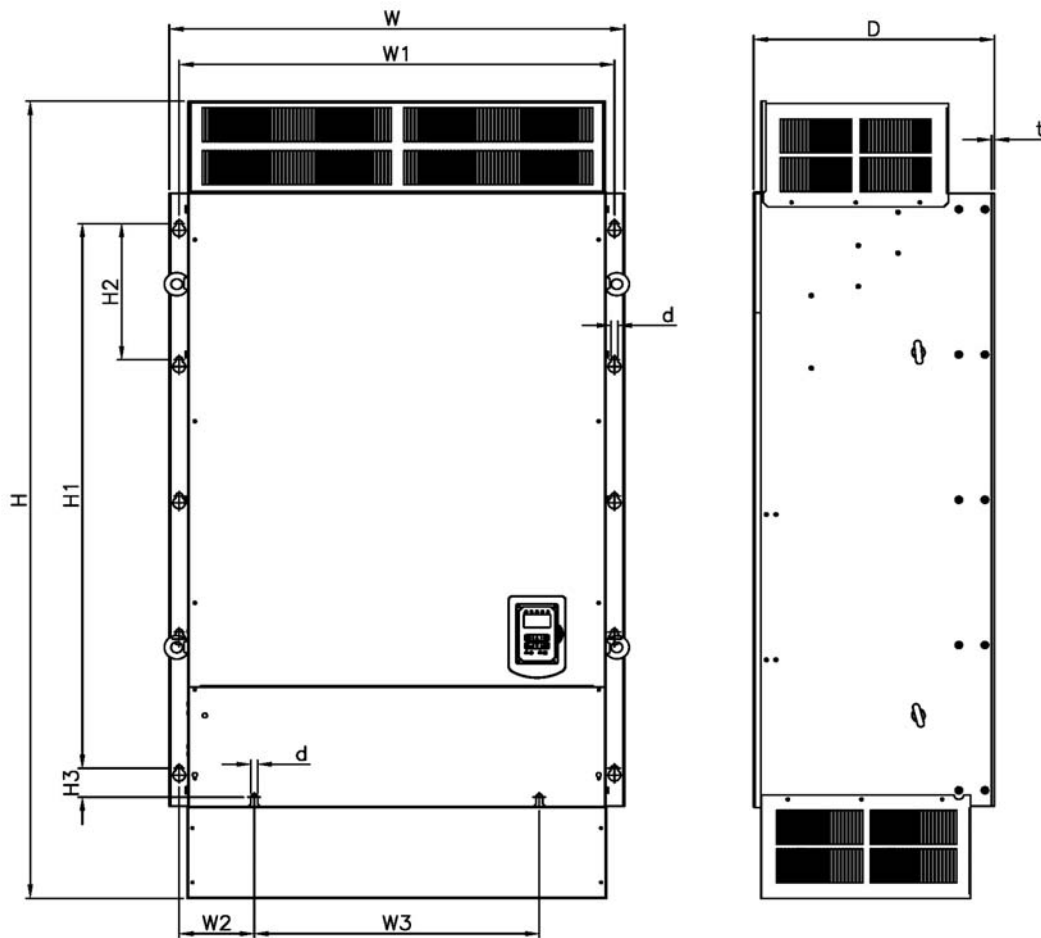
Inverter Model	Dimensions in mm (inch)							d	NW in kg(lbs)
	W	H	D	W1	W2	H1	t		
F510-2150-H3	690 (27.17)	1313 (51.69)	410 (16.14)	530 (20.87)	265 (10.43)	960 (37.80)	1.6 (0.06)	M12	194 (427.70)
F510-2175-H3	690 (27.17)	1313 (51.69)	410 (16.14)	530 (20.87)	265 (10.43)	960 (37.80)	1.6 (0.06)	M12	194 (427.70)
F510-4300-H3	690 (27.17)	1313 (51.69)	410 (16.14)	530 (20.87)	265 (10.43)	960 (37.80)	1.6 (0.06)	M12	194 (427.70)
F510-4375-H3	690 (27.17)	1313 (51.69)	410 (16.14)	530 (20.87)	265 (10.43)	960 (37.80)	1.6 (0.06)	M12	194 (427.70)
F510-4425-H3	690 (27.17)	1313 (51.69)	410 (16.14)	530 (20.87)	265 (10.43)	960 (37.80)	1.6 (0.06)	M12	194 (427.70)

(h) 400V: 535-800HP (IP00)



Inverter Model	Dimensions in mm (inch)										d	NW in kg(lbs)
	W	H	D	W1	W2	W3	H1	H2	H3	t		
F510-4535-H3	958 (37.72)	1356 (53.38)	507 (19.96)	916 (36.06)	158 (6.22)	600 (23.62)	1200 (47.24)	300 (11.81)	63.5 (2.50)	6.2 (0.24)	M12	335 (739)
F510-4670-H3	958 (37.72)	1356 (53.38)	507 (19.96)	916 (36.06)	158 (6.22)	600 (23.62)	1200 (47.24)	300 (11.81)	63.5 (2.50)	6.2 (0.24)	M12	335 (739)
F510-4800-H3	958 (37.72)	1356 (53.38)	507 (19.96)	916 (36.06)	158 (6.22)	600 (23.62)	1200 (47.24)	300 (11.81)	63.5 (2.50)	6.2 (0.24)	M12	335 (739)

(i) 400V: 535-800HP (IP20)



Inverter Model	Dimensions in mm (inch)										d	NW in kg(lbs)
	W	H	D	W1	W2	W3	H1	H2	H3	t		
F510-4535-H3	958 (37.72)	1756 (69.13)	507 (19.96)	916 (36.06)	158 (6.22)	600 (23.62)	1200 (47.24)	300 (11.81)	63.5 (2.50)	6.2 (0.24)	M12	350 (772)
F510-4670-H3	958 (37.72)	1756 (69.13)	507 (19.96)	916 (36.06)	158 (6.22)	600 (23.62)	1200 (47.24)	300 (11.81)	63.5 (2.50)	6.2 (0.24)	M12	350 (772)
F510-4800-H3	958 (37.72)	1756 (69.13)	507 (19.96)	916 (36.06)	158 (6.22)	600 (23.62)	1200 (47.24)	300 (11.81)	63.5 (2.50)	6.2 (0.24)	M12	350 (772)