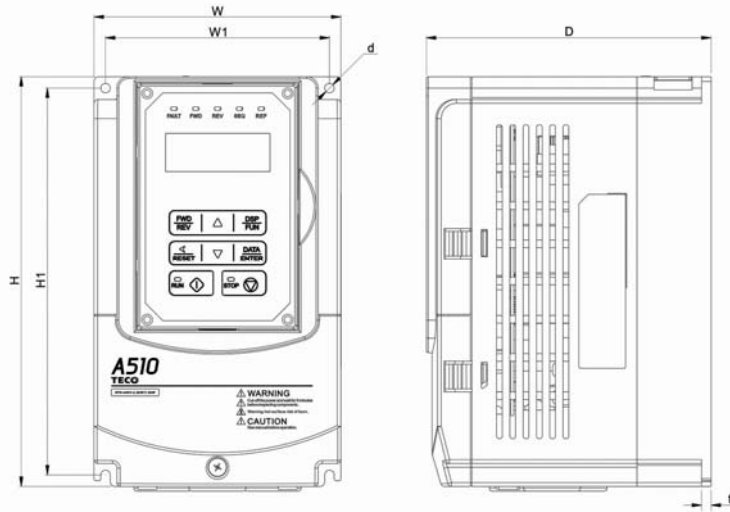


3.8 Overall Dimension drawing

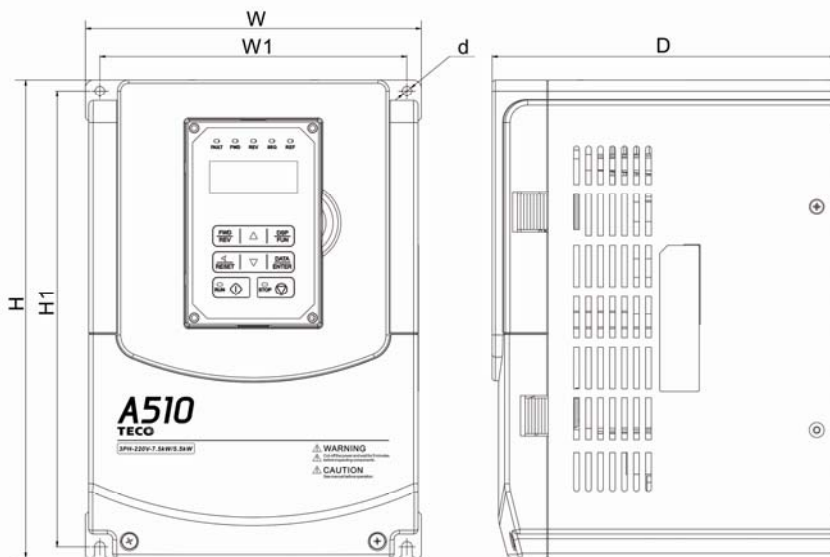
3.8.1 Standard Model

(a) 220V :1-5HP/440V :1-7.5HP



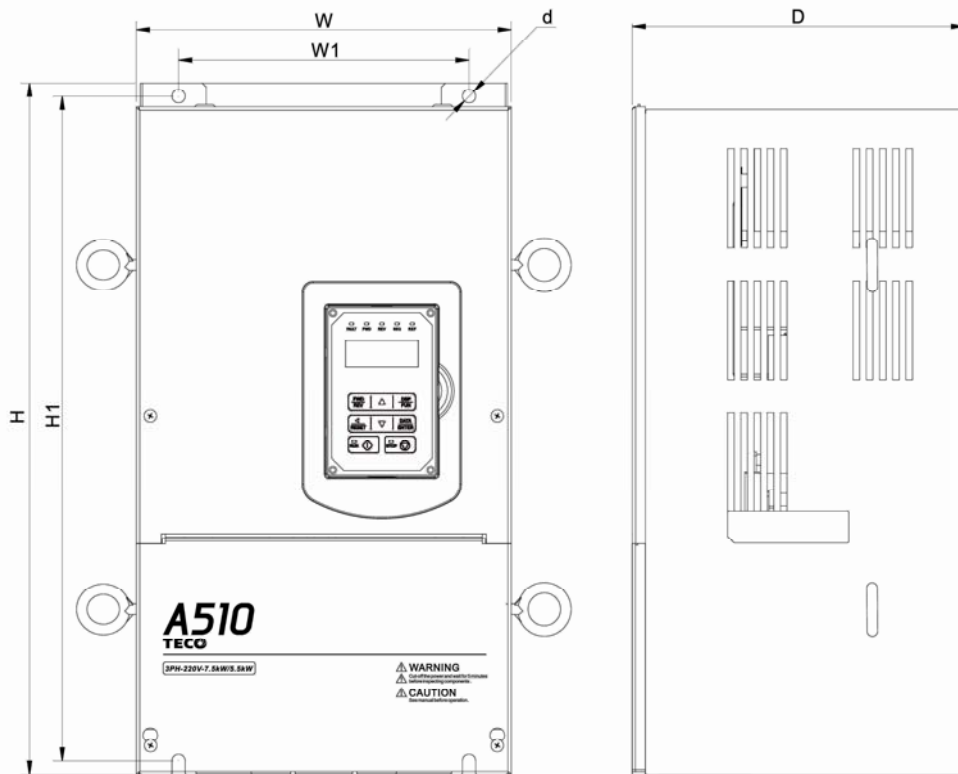
Inverter Model	Dimension (mm)								Reactor
	W	H	D	W1	H1	t	d	GW(kg)	
A510-2001-H	130	215	150	118	203	5	M5	2.2	with option DCL
A510-2002-H	130	215	150	118	203	5	M5	2.2	
A510-2003-H	140	279	177	122	267	7	M5	3.8	
A510-2005-H3	140	279	177	122	267	7	M5	3.8	
A510-4001-H3	130	215	150	118	203	5	M5	2.2	
A510-4002-H3	130	215	150	118	203	5	M5	2.2	
A510-4003-H3	130	215	150	118	203	5	M5	2.2	
A510-4005-H3	140	279	177	122	267	7	M5	3.8	
A510-4008-H3	140	279	177	122	267	7	M5	3.8	

(b) 220V :7.5-25HP/440V :10-30HP



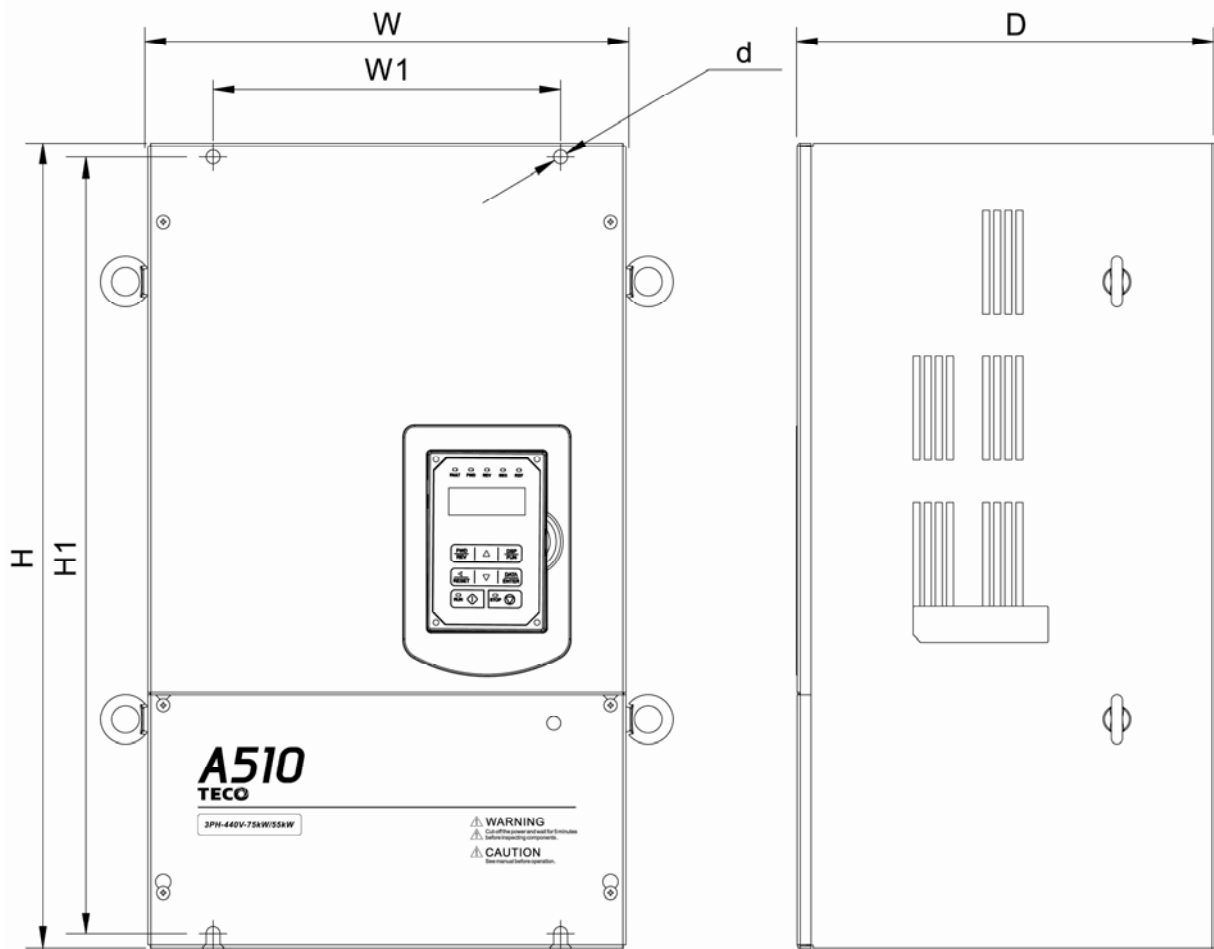
Inverter Model	Dimension (mm)								Reactor
	W	H	D	W1	H1	t	d	GW(kg)	
A510-2008-H3	210	300	215	192	286	1.6	M6	6.2	with option ACL
A510-2010-H3	210	300	215	192	286	1.6	M6	6.2	
A510-2015-H3	265	360	225	245	340	1.6	M6	10	
A510-2020-H3	265	360	225	245	340	1.6	M6	10	
A510-2025-H3	265	360	225	245	340	1.6	M6	10	
A510-4010-H3	210	300	215	192	286	1.6	M6	6.2	
A510-4015-H3	210	300	215	192	286	1.6	M6	6.2	
A510-4020-H3	265	360	225	245	340	1.6	M6	10	
A510-4025-H3	265	360	225	245	340	1.6	M6	10	
A510-4030-H3	265	360	225	245	340	1.6	M6	10	

(c) 220V :30-40HP/440V :40-60HP



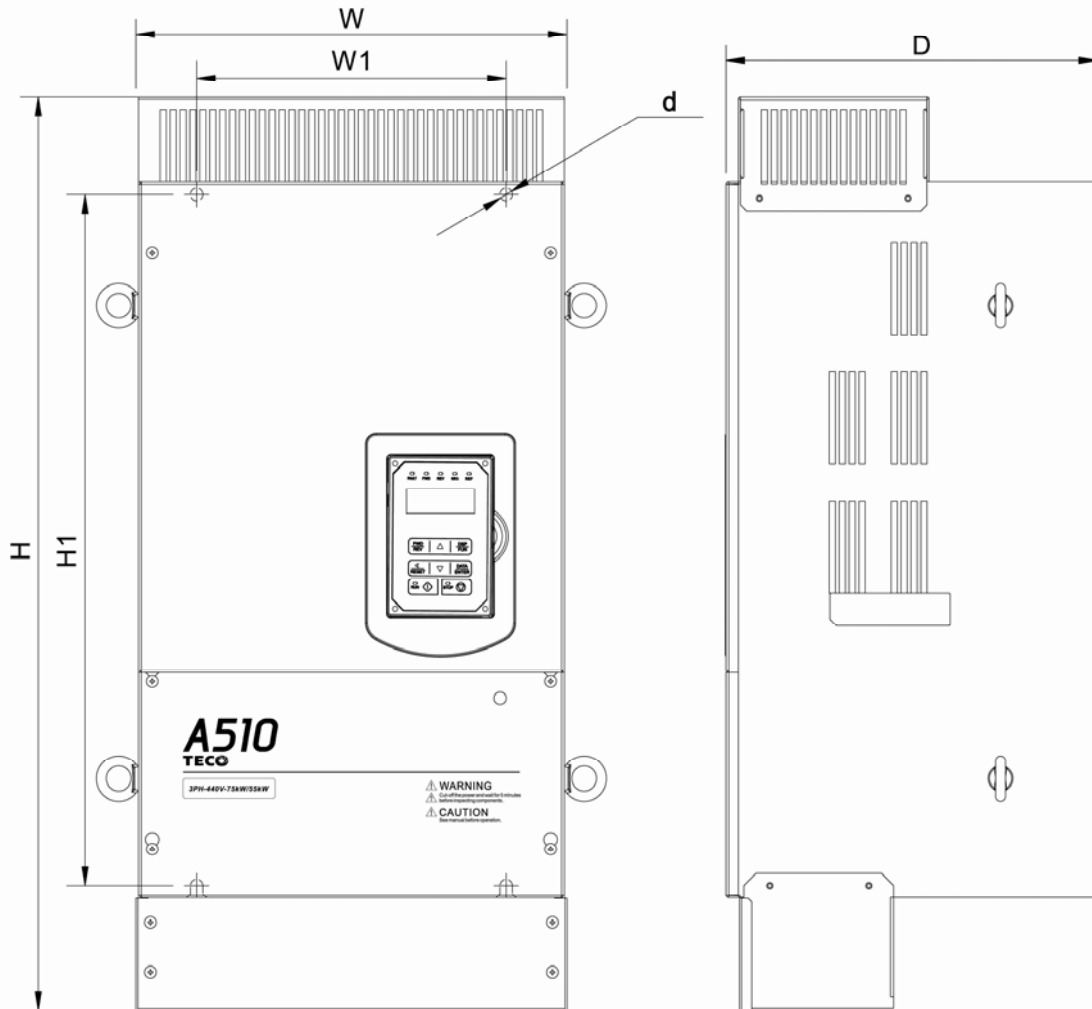
Inverter Model	Dimension (mm)								Reactor
	W	H	D	W1	H1	t	d	GW(kg)	
A510-2030-H3	284	525	252	220	505	1.6	M8	30	with option ACL
A510-2040-H3	284	525	252	220	505	1.6	M8	30	
A510-4040-H3	284	525	252	220	505	1.6	M8	30	
A510-4050-H3	284	525	252	220	505	1.6	M8	30	
A510-4060-H3	284	525	252	220	505	1.6	M8	30	

(d) 220V :50-100HP/440V :75-215HP(IP00)



Inverter Model	Dimension (mm)								Reactor
	W	H	D	W1	H1	t	d	GW(kg)	
A510-2050-H3	344	580	300	250	560	1.6	M8	40.5	DCL STANDARD INCLUDED
A510-2060-H3	344	580	300	250	560	1.6	M8	40.5	
A510-2075-H3	459	790	324.5	320	760	1.6	M10	74	
A510-2100-H3	459	790	324.5	320	760	1.6	M10	74	
A510-4075-H3	344	580	300	250	560	1.6	M8	40.5	
A510-4100-H3	344	580	300	250	560	1.6	M8	40.5	
A510-4125-H3	459	790	324.5	320	760	1.6	M10	74	
A510-4150-H3	459	790	324.5	320	760	1.6	M10	74	
A510-4175-H3	459	790	324.5	320	760	1.6	M10	74	
A510-4215-H3	459	790	324.5	320	760	1.6	M10	74	

(e) 220V :50-100HP/440V :75-215HP(IP20)



Inverter Model	Dimension (mm)								Reactor
	W	H	D	W1	H1	t	d	GW(kg)	
A510-2050-H3	348.5	740	300	250	560	1.6	M8	44	DCL STANDARD INCLUDED
A510-2060-H3	348.5	740	300	250	560	1.6	M8	44	
A510-2075-H3	463.5	1105	324.5	320	760	1.6	M10	81	
A510-2100-H3	463.5	1105	324.5	320	760	1.6	M10	81	
A510-4075-H3	348.5	740	300	250	560	1.6	M8	44	
A510-4100-H3	348.5	740	300	250	560	1.6	M8	44	
A510-4125-H3	463.5	1105	324.5	320	760	1.6	M10	81	
A510-4150-H3	463.5	1105	324.5	320	760	1.6	M10	81	
A510-4175-H3	463.5	1105	324.5	320	760	1.6	M10	81	
A510-4215-H3	463.5	1105	324.5	320	760	1.6	M10	81	

Note: 250HP or above are being developed